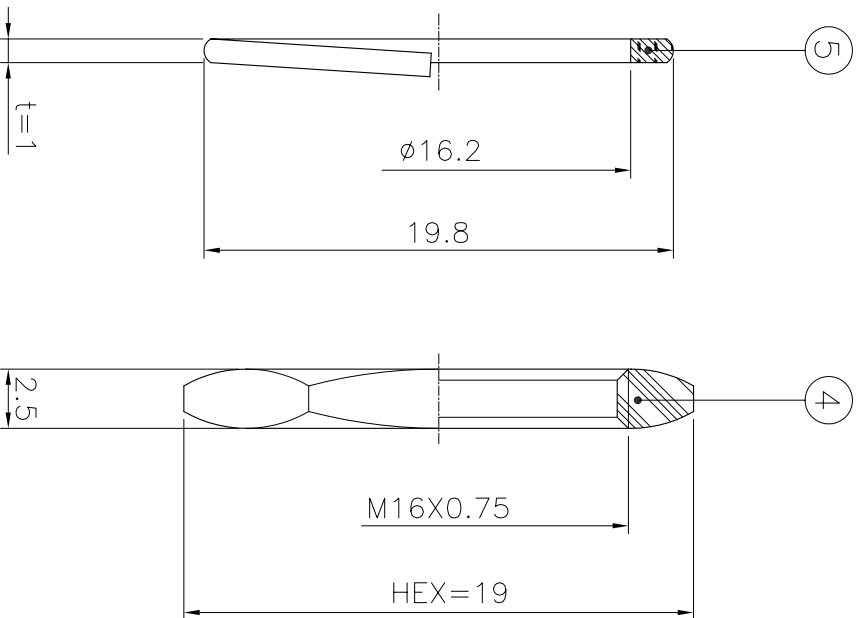
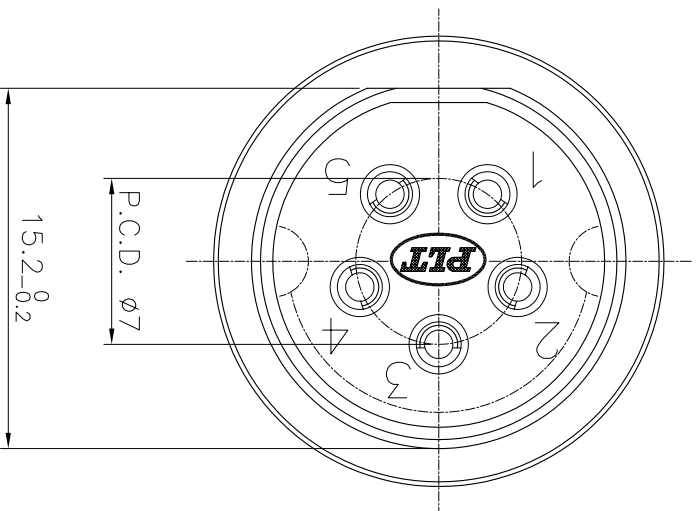
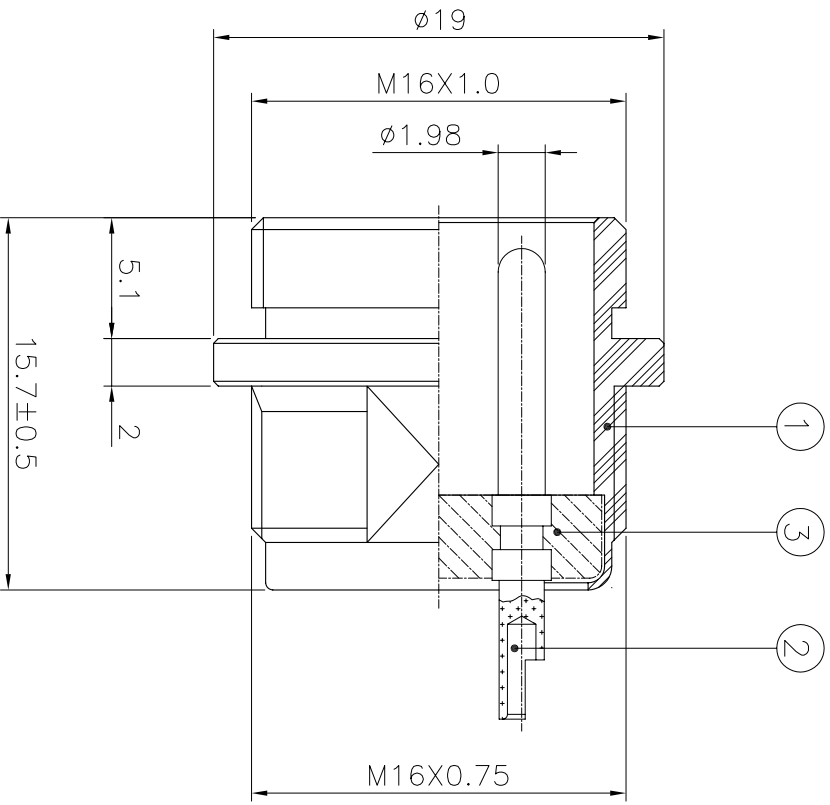


NO	件號 PART NO	名稱 NAME	材質 MATL	件數 SHFT	處理 TREAT	備註 REMARK
1	M-1602-RA-R	本體 BODY	ZINC ALLOY	1	M-Ni	
2	M-1605-RA-R	導針 CONTACT	COPPER ALLOY	5	M-Ni	
3	M-1605-RLC-R	電木含針 INSULATOR	BAKELITE	1	BLACK	
4	M-1602-RD-R	六角螺母 NUT	COPPER ALLOY	1	M-Ni	
5	M-1602-RE-R	彈簧華司 SPRING WASHER	SUP3	1	M-Ni	



智慧財產權 請勿抄襲盜用  
APEX CONNECTOR PROPRIETARY  
本產品符合 ROHS 指令



ELECTRICAL CHARACTERISTICS	
NO.	
1	Rated Current/voltage 5A 125V
2	Operation limit voltage (AC.V.rms) 200
3	Withstanding voltage (AC.V.rms) 1 minute 1000
4	Insulation resistance(M $\Omega$ MIN.) at DC 500V 1000
5	Contact resistance (m $\Omega$ MAX.) at DC 1A 20

ISO-9001:2000 CERTIFIED MANUFACTURER		機種 MODEL		PLT-165-R-R	
ALUMINUM PRECISION TECHNOLOGY CORP.		名稱 NAME		5 PIN CONNECTOR ROHS	
DATE 2005.12.31		UNIT mm		SCALE 3X	
TOLERANCE $\pm 0.2$		DESIGNER 開發部 2005.12.31		CHECKED	
PROJ. NO.		DESIGNER 審核		APPROVE	
CHANGE NO.		DESIGNER 審核		APPROVE	

