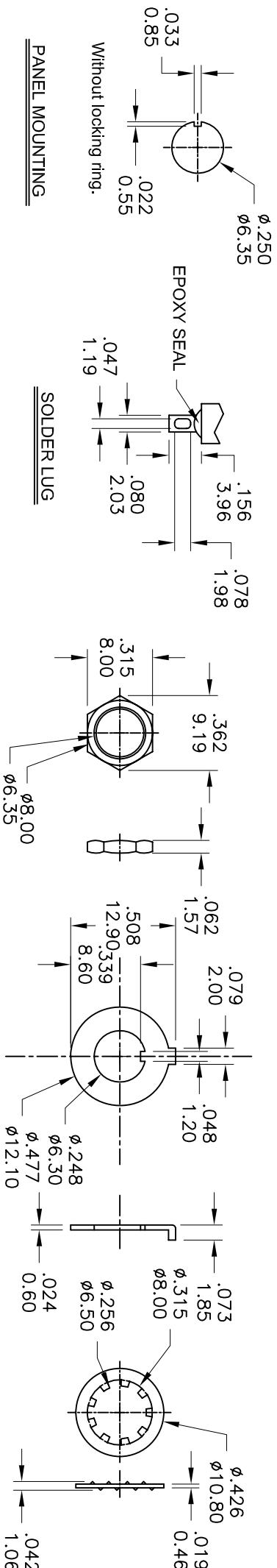


Model No.	POS.1	POS.2	POS.3
1MS1	ON	NONE	ON
Term. Comm.	2-3	N/A	2-1
SCHEMATIC		N/A	

**SWITCH FUNCTION**



**MATERIALS**

**CASE:** Dially phthalate (DAP) (UL94v-0).  
**ACTUATOR:** Brass,chrome plated.  
**BUSHING:** Brass,nickel plated.  
**HOUSING:** Stainless Steel.  
**TERMINAL/CONTACT:** Silver or gold plated.  
**ROHS:**2002/95/EC

**RATING :**

R : 0.4 Volt-Amps(VA) max. @20V max.(AC or DC)  
 Q : 2Amps @250VAC  
 5Amps @120 VAC or 28 VDC

**SPECIFICATIONS**  
**MECHANICAL LIFE:** 40,000 make-and-break cycles.  
**CONTACT RESISTANCE:** 10mΩ max. initial @ 2-4VDC  
 100mA for both silver and gold plated contacts.  
**INSULATION RESISTANCE:** 1,000MΩ min.  
**DIELECTRIC STRENGTH:** 1,000 V RMS@sea level.  
**OPERATING TEMPERATURE:** -30° C to 85° C.

**德利威電子股份有限公司**  
**DAILYWELL ELECTRONICS CO.,LTD.**

符號	原尺寸	修改後尺寸	變更日期	SCALE (比例) : 3 : 2	TITLE	Miniature Toggle Switches	SIZE
1	(A)	版本變更	SEP - 04 - 2007	TOLERANCE (公差) :	DWG NO.	1MS1T1B1M1QES-1	A4
2	(B)			0.00 mm ± 0.25mm	圖號		圖紙
3	(C)			0.0 mm ± 0.40mm	REV.	B	UNIT
4	(D)			ANGULAR : ± 5°	版本	DATE	單位
5	(E)			FILE NAME : 1MSP0709	CHECKED BY	RICHARD	mm
					審核	DRAWN BY	SHEET
						製圖	1 of 1
							張數
							BLUE