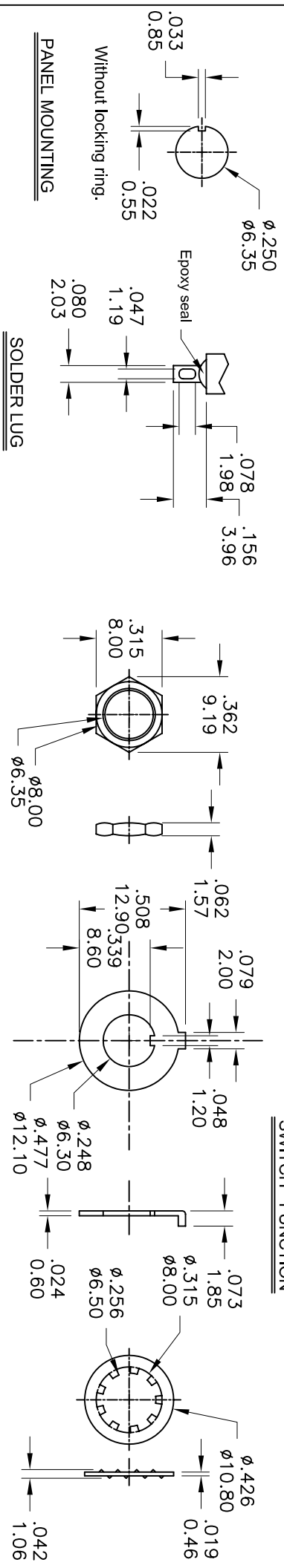


Model No.	POS.1	POS.2	POS.3
1MS9	ON	NONE	OFF
Term. Comm.	2-3	N/A	OPEN
SCHEMATIC			N/A

SWITCH FUNCTION



SPECIFICATIONS

MECHANICAL LIFE: 40,000 make-and-break cycles.
CONTACT RESISTANCE: 10mΩ max. Initial @ 2-4VDC
 100mA for both silver and gold plated contacts.
INSULATION RESISTANCE: 1,000MΩ min.
DIELECTRIC STRENGTH: 1,000 V RMS@sea level.
OPERATING TEMPERATURE: -30° C to 85° C.

MATERIALS

CASE: Dially phthalate (DAP) (UL94V-0).
ACTUATOR: Brass, chrome plated.
BUSHING: Brass, nickel plated.
HOUSING: Stainless Steel.
TERMINAL/CONTACT: Silver or gold plated.

RATING:

R : 0.4 Volt-Amps(VA) max. @20V max.(AC or DC)
 Q : 2Amps @250VAC
 5Amps @120 VAC or 28 VDC

符號	原尺寸	修改後尺寸	變更日期
1 (A)			
2 (B)			
3 (C)			
4 (D)			
5 (E)			

SCALE (比例) : 3 : 2

TOLERANCE (公差) :
 0.00 mm ± 0.25mm
 0.0 mm ± 0.40mm
 ANGULAR : ±5°

FILE NAME : 1MSP0838

TITLE	圖名	Miniature Toggle Switches	SIZE	圖紙	A4
DWG NO.	圖號	1MS9T1B1M1QES-1	UNIT	單位	inch
REV.	版本	A	DATE	日期	JUL - 17 - 2006
CHECKED BY	審核	RICHARD	DRAWN BY	製圖	BLUE
SHEET	張數	1 of 1			

德利威電子股份有限公司
DAILYWELL ELECTRONICS CO.,LTD.