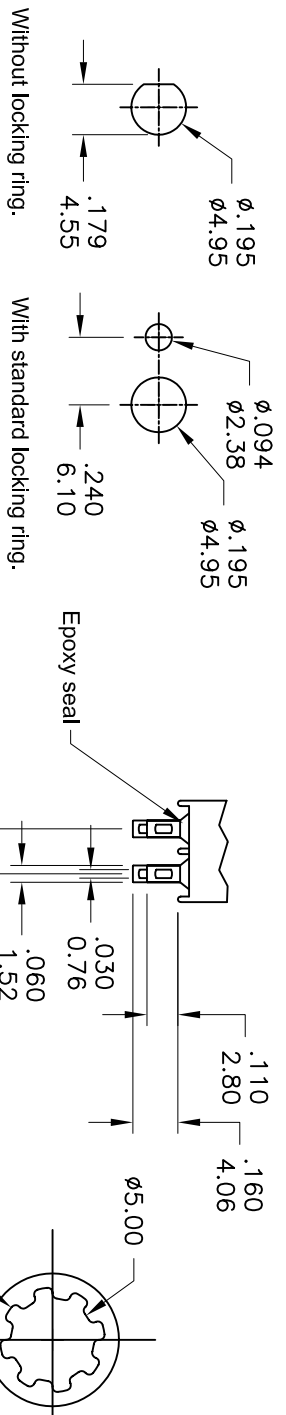
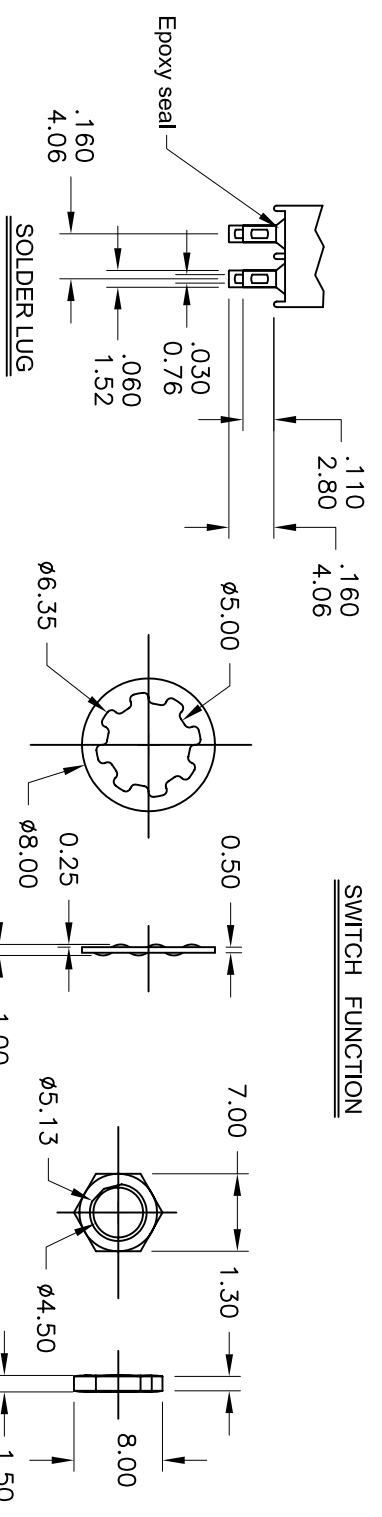


| Model No. | POS.1 | POS.2 | POS.3 |
|-------------|---------|-------|---------|
| | ON | NONE | ON |
| 2MD1 | ON | NONE | ON |
| Term. Comm. | 2-3,5-6 | | 2-1,5-4 |
| SCHEMATIC | | | |
| | | | |

SWITCH FUNCTION



PANEL MOUNTING



SPECIFICATIONS

MECHANICAL LIFE: 30,000 make-and-break cycles.
CONTACT RESISTANCE: 20m Ω max. initial @ 2-4VDC
 100mA for both silver and gold plated contacts.
INSULATION RESISTANCE: 1,000M Ω/min.
DIELECTRIC STRENGTH: 1,000 V RMS@sea level.
OPERATING TEMPERATURE: -30° C to 85° C.

MATERIALS

CASE - Diallyl phthalate(DAPY UL94V-0)
ACTUATOR - Brass,chrome plated
BUSHING - Brass,nickel plated
HOUSING - Stainless Steel
SWITCH SUPPORT - Brass,1in plated.
TERMINALS/CONTACT - Brass, with Silver or gold plated.

| 符號 | 原尺寸 | 修改後尺寸 | 變更日期 |
|----|-----|-------|------|
| 1 | (A) | | |
| 2 | (B) | | |
| 3 | (C) | | |
| 4 | (D) | | |
| 5 | (E) | | |

SCALE (比例): 3 : 2

| TITLE | Sub - Miniature Toggle Switches | SIZE | A4 |
|------------|---------------------------------|----------|-----------------|
| DWG NO. | 2MD1T1B1M1QES-1 | UNIT | inch |
| REV. | A | DATE | SEP - 20 - 2006 |
| CHECKED BY | RICHARD | DRAWN BY | ODA |
| 審核 | | 製圖 | |

TOLERANCE (公差):
 0.00 mm ± 0.25mm
 0.0 mm ± 0.40mm
 ANGULAR : ± 5°
 FILE NAME : 2MDP0190

德利威電子股份有限公司
DAILYWELL ELECTRONICS CO.,LTD.

RATING :
 R : 0.4 Volt-Amps(VA) max. @20V max.(AC or DC)
 Q : 1Amp @250VAC
 3Amps @120 VAC or 28 VDC