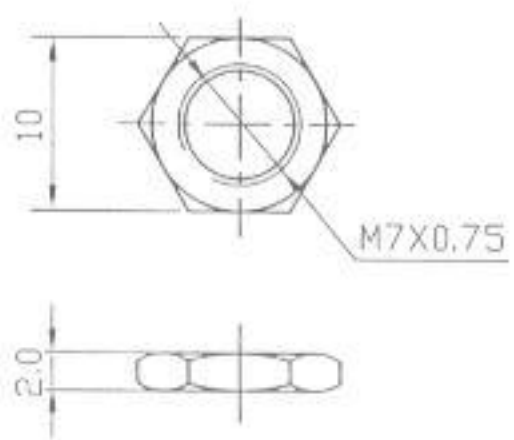


	L	T	F	M
	10	4	5	1
✓	15	6	7	1

SHAFT SHOWN IN FULL C.C.W. POSITION

NUT 1 PC

WASHER 1 PC



t0.4

